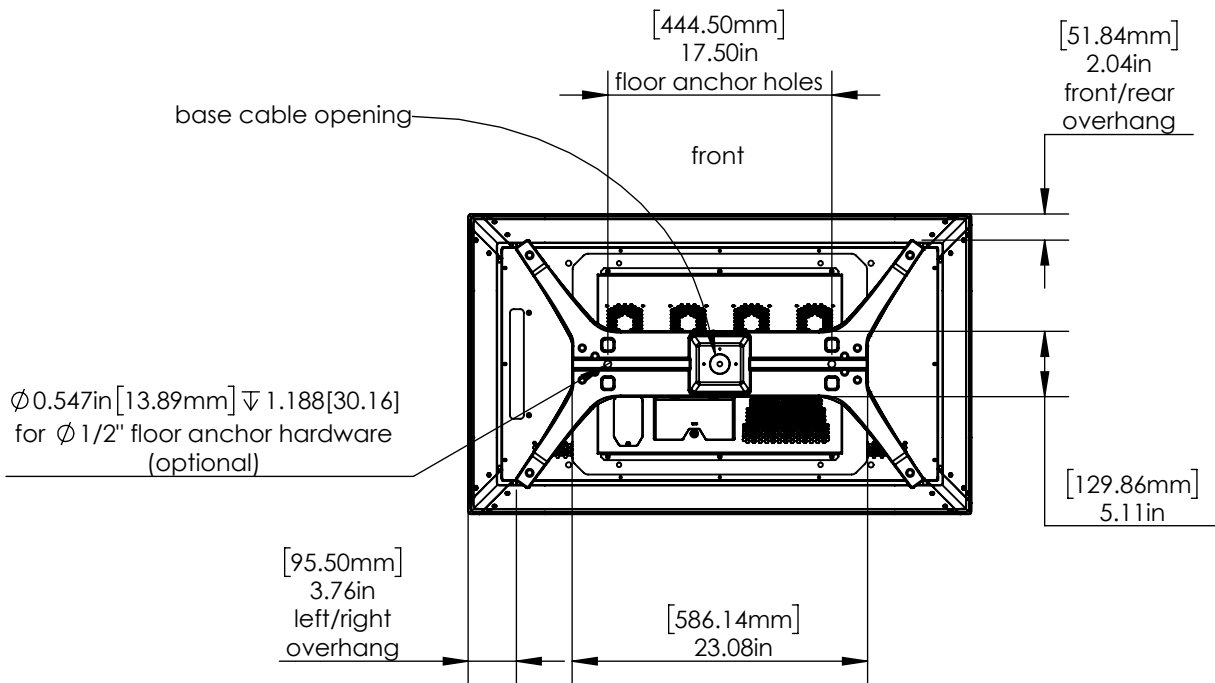
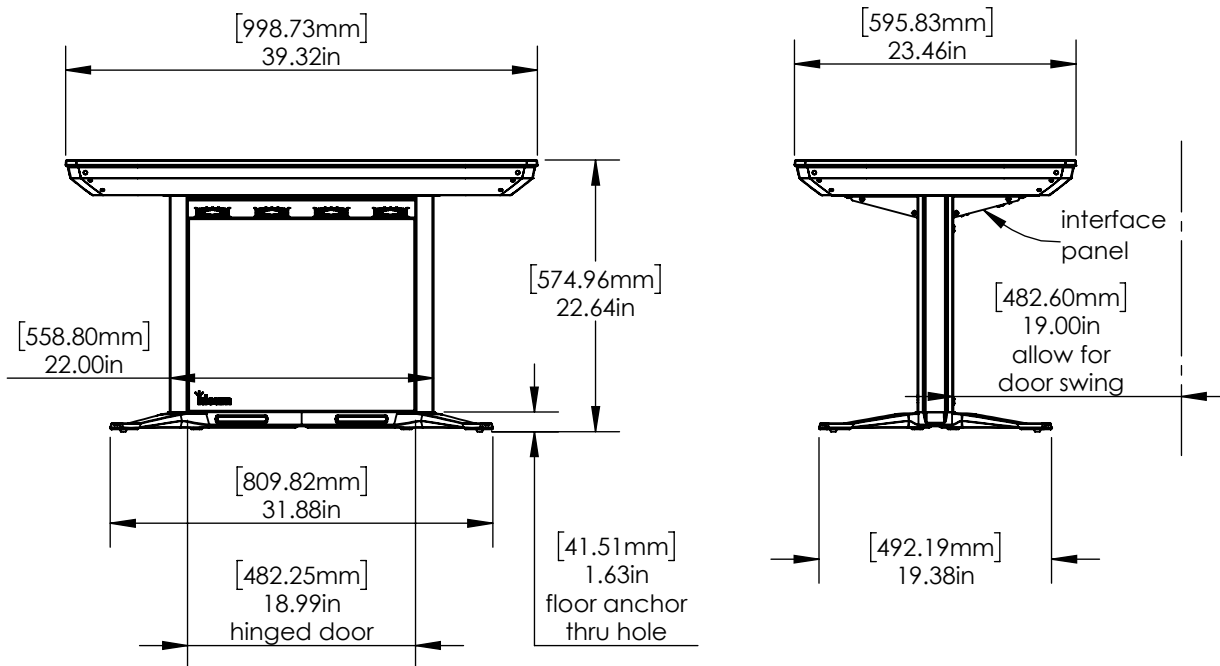


Pico II - 43"

TABLE SERIES
pat. no. 10,225,509



Property of Ideum

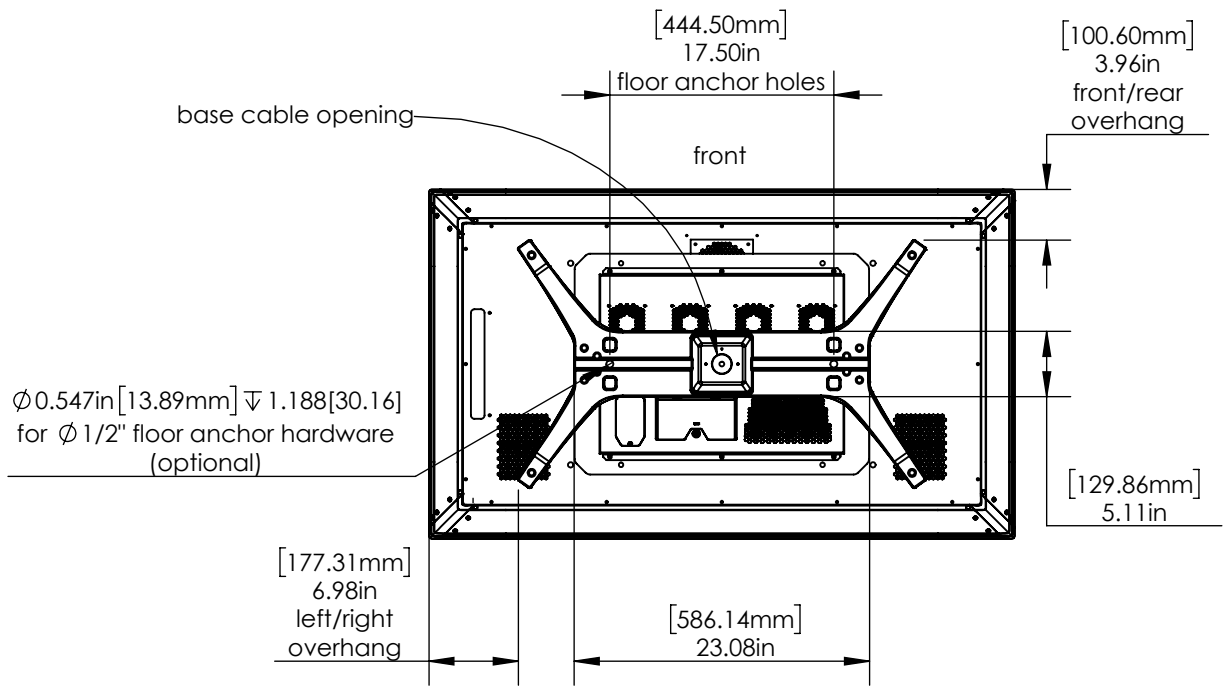
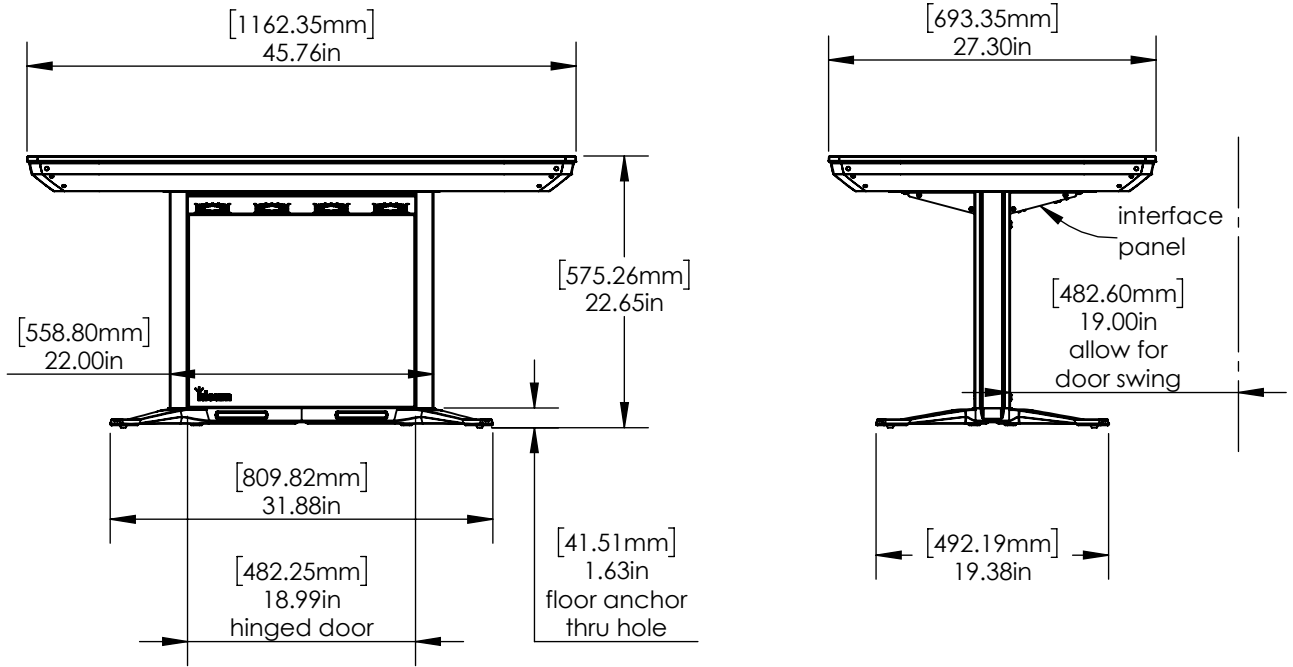
This document contains proprietary and patented information about Ideum products. This document can be shared or posted outside of (ideum.com) without written authorization from Ideum. (US patent 10,225,509)

Ideum, Inc.

2469 Corrales Rd.
Building C
Corrales, NM
87048
P: 1.505.792.1110

Pico II - 49"

TABLE SERIES
pat. no. 10,225,509



Property of Ideum

This document contains proprietary and patented information about Ideum products. This document can be shared or posted outside of (ideum.com) without written authorization from Ideum. (US patent 10,225,509)

Ideum, Inc.

2469 Corrales Rd.
Building C
Corrales, NM
87048
P: 1.505.792.1110