



# Pro II All Models & Sizes

Specification Sheet





# Pro II All Models & Sizes

Specification Sheet



The Pro II is Ideum's most powerful and expandable high-performance multitouch table. It is available with 49", 55", and 65" displays. Each size includes a 4K Ultra HD LG commercial display rated 24/7, and industry-leading touch technology from TES with support for 80 touch points. It also supports tangible object recognition.



The Pro II is equipped with a powerful integrated Intel™ Core processor, the latest NVIDIA™ discrete graphics card, and single push-button power, and it can be upgraded with additional storage. The Pro touch table comes standard with Windows 11 Professional and can run any supported PC applications. It is well-suited for processor and graphic intensive applications.



DESIGNED  
& BUILT  
IN THE USA



PRO II SPEC SHEET v1.0 / U.S. Patent No. 10225509 / EFFECTIVE 3/27/2026  
*Specifications are subject to change without notice.*



# Pro II All Models & Sizes

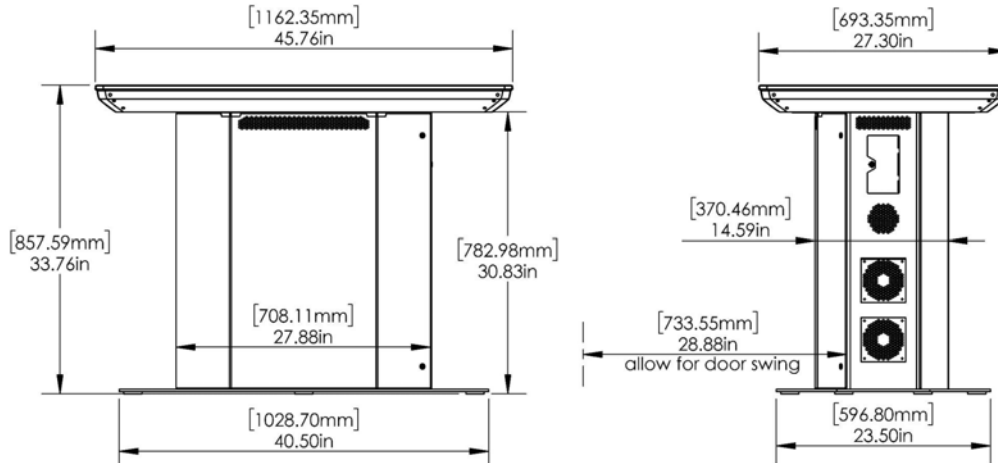
Specification Sheet

The Pro II comes with a full workstation computer inside the base. It is crafted from aircraft-grade aluminum with a durable powder coat. Ideum displays use a patented manufacturing method.



The Pro II is designed and built in the USA and ships as a complete turnkey system with lockable, push-button operation—just plug it in and turn it on. All of Ideum’s hardware is backed by a three-year warranty.





**WEIGHT**  
230 LBS  
104 KG\*

**SHIP WEIGHT**  
390 LBS  
177 KG\*

**W/ TRAVEL CASE**  
420 LBS  
190 KG\*

*\*Weights may vary slightly.*

## Interactive Display

- › 4K UHD (3840x2160) LG commercial display rated 24/7
- › 49" diagonal, strengthened, anti-stiction, 4mm glass surface
- › TES /3M™ projected capacitive touch sensor
- › ±5ms touch response time
- › 80 touch points with palm rejection
- › Native contrast ratio 1100:1
- › 500 nits luminance

## Integrated System

- › Single push-button power
- › Custom lockable enclosure
- › Windows 11 Professional
- › Universal 110-240V power system
- › Stereo amplifier with two 90W Yamaha speakers

### PERFORMANCE

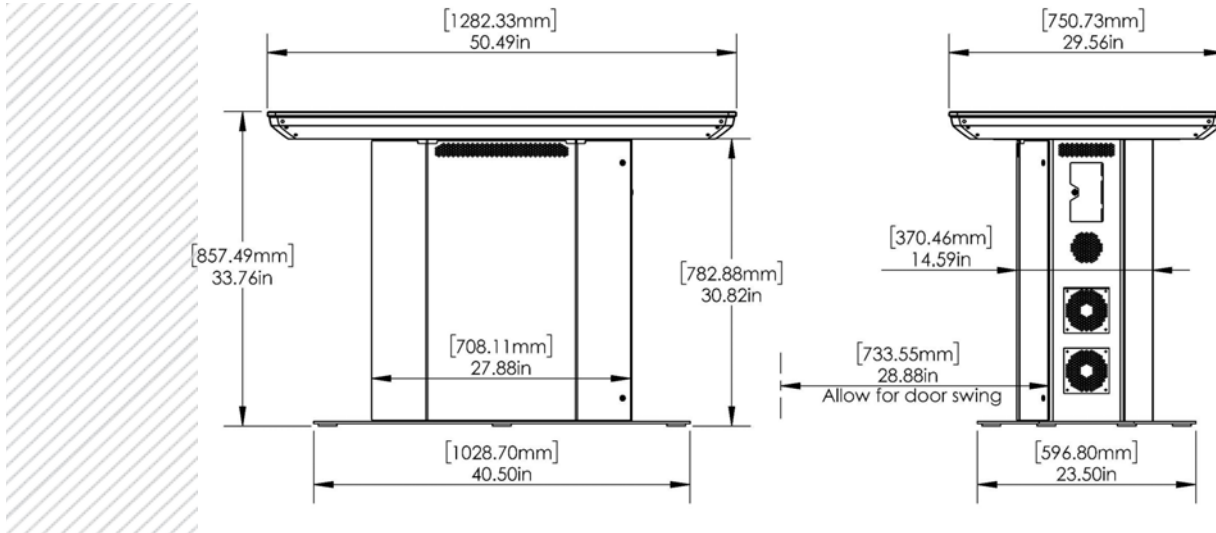
- › Intel 15th Gen Core Ultra 7 265K processor
- › NVIDIA RTX 4000 20GB Ada Generation graphics card
- › Dual 500GB M.2 NVMe SSD
- › 32GB DDR5 RAM

### ULTIMATE

- › Intel 15th Gen Core Ultra 9 285K processor
- › NVIDIA GeForce RTX 5080 16GB graphics card
- › Dual 2TB M.2 NVMe SSD
- › 192GB DDR5 RAM
- › Full ATX motherboard with additional PCIe slots

## Connectivity

- › TPM/TPP compatible for secure environments
- › WiFi 802.11 a/b/g/n/ac, Ethernet, Bluetooth 5.0
- › Direct access via USB ports
- › Wireless keyboard with integrated trackpad
- › Audio output via 1/8" audio jack
- › HDMI output (PC)
- › RFID (optional)
- › Communication hardware can be removed upon request for secure environments



**WEIGHT**  
240 LBS  
109 KG\*

**SHIP WEIGHT**  
400 LBS  
181 KG\*

**W/ TRAVEL CASE**  
425 LBS  
193 KG\*

\*Weights may vary slightly.

## Interactive Display

- › 4K UHD (3840x2160) LG commercial display rated 24/7
- › 55" diagonal, strengthened, anti-stiction, 4mm glass surface
- › TES /3M™ projected capacitive touch sensor
- › ±5ms touch response time
- › 80 touch points with palm rejection
- › Native contrast ratio 1100:1
- › 500 nits luminance

## Integrated System

- › Single push-button power
- › Custom lockable enclosure
- › Windows 11 Professional
- › Universal 110-240V power system
- › Stereo amplifier with two 90W Yamaha speakers

### PERFORMANCE

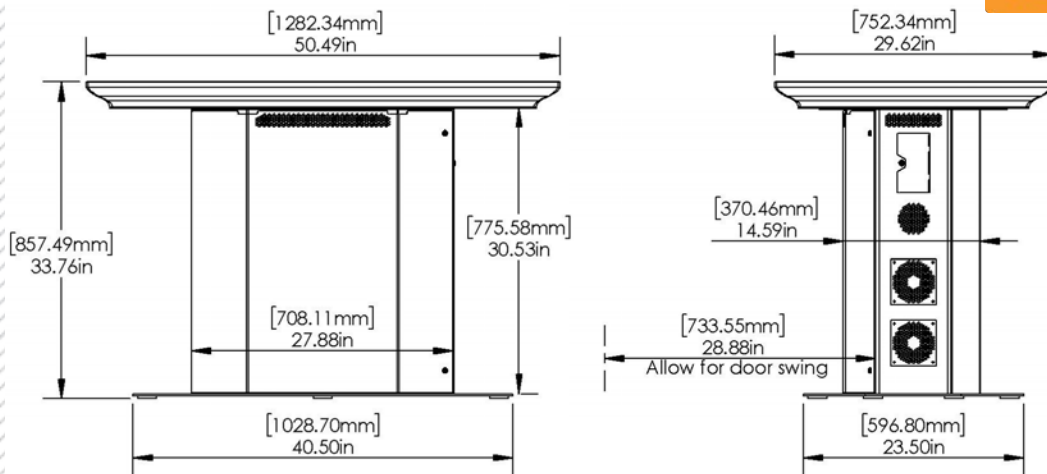
- › Intel 15th Gen Core Ultra 7 265K processor
- › NVIDIA RTX 4000 20GB Ada Generation graphics card
- › Dual 500GB M.2 NVMe SSD
- › 32GB DDR5 RAM

### ULTIMATE

- › Intel 15th Gen Core Ultra 9 285K processor
- › NVIDIA GeForce RTX 5080 16GB graphics card
- › Dual 2TB M.2 NVMe SSD
- › 192GB DDR5 RAM
- › Full ATX motherboard with additional PCIe slots

## Connectivity

- › TPM/TPP compatible for secure environments
- › WiFi 802.11 a/b/g/n/ac, Ethernet, Bluetooth 5.0
- › Direct access via USB ports
- › Wireless keyboard with integrated trackpad
- › Audio output via 1/8" audio jack
- › HDMI output (PC)
- › RFID (optional)
- › Communication hardware can be removed upon request for secure environments



**WEIGHT**  
255 LBS  
115 KG\*

**SHIP WEIGHT**  
415 LBS  
188 KG\*

**W/ TRAVEL CASE**  
440 LBS  
199 KG\*

\*Weights may vary slightly.

## Interactive Display

- › 4K UHD (3840x2160) LG commercial display rated 24/7
- › 55" diagonal, strengthened, anti-stiction, 4mm glass surface
- › Optically bonded sensor and LCD
- › TES /3M™ projected capacitive touch sensor
- › ±5 ms touch response time
- › 80 touch points with palm rejection
- › Native contrast ratio 1100:1
- › 500 nits luminance

## Integrated System

- › Single push-button power
- › Custom lockable enclosure
- › Windows 11 Professional
- › Universal 110-240V power system
- › Stereo amplifier with two 90W Yamaha speakers

### PERFORMANCE

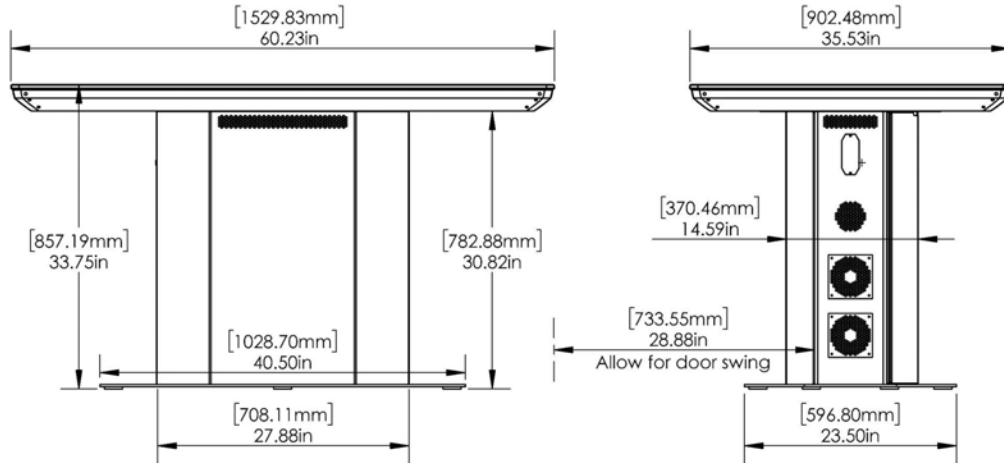
- › Intel 15th Gen Core Ultra 7 265K processor
- › NVIDIA RTX 4000 20GB Ada Generation graphics card
- › Dual 500GB M.2 NVMe SSD
- › 32GB DDR5 RAM

### ULTIMATE

- › Intel 15th Gen Core Ultra 9 285K processor
- › NVIDIA GeForce RTX 5080 16GB graphics card
- › Dual 2TB M.2 NVMe SSD
- › 192GB DDR5 RAM
- › Full ATX motherboard with additional PCIe slots

## Connectivity

- › TPM/TPP compatible for secure environments
- › WiFi 802.11 a/b/g/n/ac, Ethernet, Bluetooth 5.0
- › Direct access via USB ports
- › Wireless keyboard with integrated trackpad
- › Audio output via 1/8" audio jack
- › HDMI output (PC)
- › RFID (optional)
- › Communication hardware can be removed upon request for secure environments



**WEIGHT**  
286 LBS  
130 KG\*

**SHIP WEIGHT**  
491 LBS  
223 KG\*

**W/ TRAVEL CASE**  
517 LBS  
234 KG\*

*\*Weights may vary slightly.*

## Interactive Display

- › 4K UHD (3840x2160) LG commercial display rated 24/7
- › 65" diagonal, strengthened, anti-stiction, 4mm glass surface
- › TES /3M™ projected capacitive touch sensor
- › ±5ms touch response time
- › 80 touch points with palm rejection
- › Native contrast ratio 1100:1
- › 500 nits luminance

## Integrated System

- › Single push-button power
- › Custom lockable enclosure
- › Windows 11 Professional
- › Universal 110-240V power system
- › Stereo amplifier with two 90W Yamaha speakers

### PERFORMANCE

- › Intel 15th Gen Core Ultra 7 265K processor
- › NVIDIA RTX 4000 20GB Ada Generation graphics card
- › Dual 500GB M.2 NVMe SSD
- › 32GB DDR5 RAM

### ULTIMATE

- › Intel 15th Gen Core Ultra 9 285K processor
- › NVIDIA GeForce RTX 5080 16GB graphics card
- › Dual 2TB M.2 NVMe SSD
- › 192GB DDR5 RAM
- › Full ATX motherboard with additional PCIe slots

## Connectivity

- › TPM/TPP compatible for secure environments
- › WiFi 802.11 a/b/g/n/ac, Ethernet, Bluetooth 5.0
- › Direct access via USB ports
- › Wireless keyboard with integrated trackpad
- › Audio output via 1/8" audio jack
- › HDMI output (PC)
- › RFID (optional)
- › Communication hardware can be removed upon request for secure environments

## Customizations



### Clip-on Casters

These sturdy casters make it easy to move the touch table, and are easily retractable to provide a stable surface when the table is in use.



### Colors and Finishes

Available in hundreds of RAL color and finish options. (1–2 weeks additional lead time.)



### ATA Flight Case

Reusable travel case with locking casters and locking latch clasps.



### Custom Computer Configurations

With space for a full sized PC, the integrated Pro computer can be customized with a variety of components (may extend lead time).

## Software



The Pro touch table comes with Windows 11 Professional and supports PC applications. Applications that are optimized for touch work best.

Ideum offers custom software development. We have experience developing interactive applications, mostly for public spaces. Our expertise in a broad range of programming environments allows our work to span the realms of informal and formal education, interactive technology, art, and entertainment.

### ALSO AVAILABLE



#### Tangible Authoring

Ideum multitouch tables support the **Tangible Engine** object recognition SDK.

Tangible Engine is an authoring environment supporting the use of fiducial object recognition on Ideum multitouch tables. This software allows for the unique recognition of objects with 3D printed conductive patterns. Tangible Engine 3 includes test objects, a Visualizer / Configurator Tool, an SDK, and documentation.

Pricing and more information can be found at: [tangibleengine.com](https://tangibleengine.com)



#### RFID Utility

Ideum multitouch products include an optional **RFID** utility for enhanced functionality.

Our new and improved RFID software allows you to automate system tasks, launch and switch applications, and more with a single movement. This useful utility is free for Ideum touch table owners.

Learn more at: [ideum.com/news/rfid-reader-app](https://ideum.com/news/rfid-reader-app)



# Pro II All Models & Sizes

Specification Sheet

## About Ideum

Ideum designs experiences for public spaces, offering exhibit design, AV, and software development services to museums, nonprofits, and socially responsible companies. We are proudly based in Corrales, New Mexico, and collaborate with creative partners worldwide.

### SALES & DESIGN INQUIRIES

We sell our multitouch tables and displays directly, both in the USA and internationally. Ask us how to turn your interactive goals into amazing reality.

Use our [online inquiry form](#)  
Email: [sales@ideum.com](mailto:sales@ideum.com)  
Phone: (505) 792-1110 ext. 1

### WARRANTY & SUPPORT

Our products are custom-built with only the highest quality components available and are designed to last. We back all of our hardware, including custom exhibits, with a three-year warranty. The same people who design and build our systems provide our timely support.

Submit a ticket: [support.ideum.com](https://support.ideum.com)  
Email: [support@ideum.com](mailto:support@ideum.com)  
Phone: (505) 792-1110 ext. 2

**Hours: 8:00 AM – 5:00 PM Mountain Time, Monday through Friday.**

The Colossus, Drafting, Pano, Platform, Pico, Pro, Reader Rail, and Inline touch tables and the Portrait and Presenter touch displays from Ideum are designed, manufactured, and made in the USA of U.S. and imported parts.



Compliant with height and reach requirements for the Americans with Disabilities Act standards for accessibility. Learn more about Ideum's commitment to accessibility at [www.ideum.com/ada](http://www.ideum.com/ada)

*IMPORTANT NOTICE TO PURCHASER: Specifications are subject to change without notice. Ideum hardware and software are warrantied from the date of receipt to the period stated in the warranty. Please note that under Ideum's warranty, Ideum has no obligation for any hardware product that is modified or damaged through misuse, accident, neglect, or subsequent integration, service, or tampering, by anyone other than Ideum or an Ideum-approved entity or individual. Ideum makes no additional warranties, express or implied, including but not limited to any fitness for a particular purpose. The User is responsible for determining whether Ideum hardware products or software are fit for the User's particular purpose. If the hardware product or software are proven not to have met Ideum's warranty, then Ideum's sole obligation and User's and Purchaser's exclusive remedy will be, at Ideum's option, to repair or replace the product or refund its purchase price. Ideum shall not be liable in any action against it in any way related to the hardware products or software for any loss or damages, whether non-specified, direct, indirect, special, incidental or consequential (including downtime, loss of profits or goodwill) regardless of the legal theory asserted. Please see our full warranty for complete details.*

